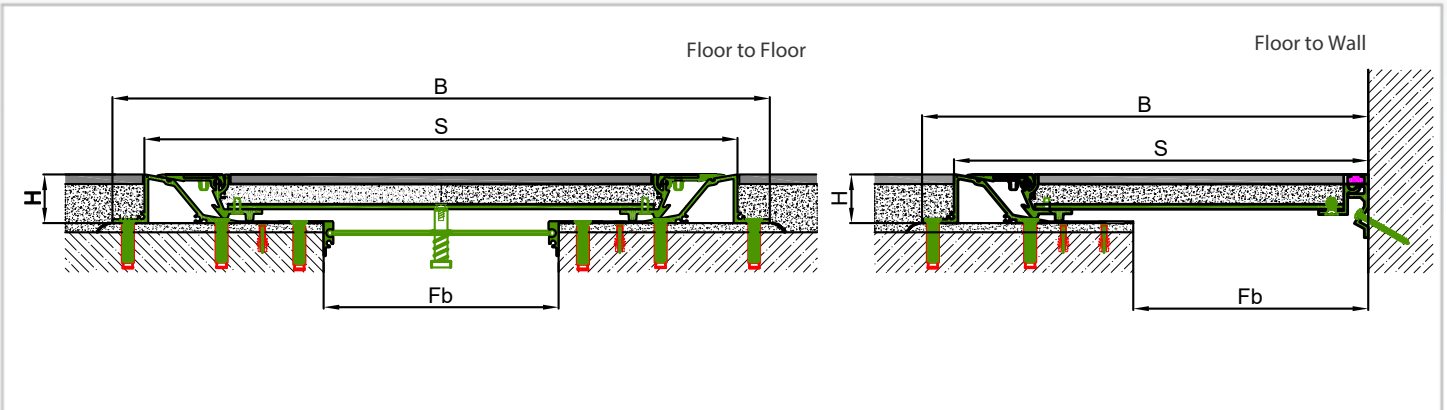


AS A239 model seismic profiles are designed for interior and exterior applications and provide horizontal and lateral shear movements at large openings. They can be applied with many different types of finishes (granite, marble, ceramic etc.) at different thickness. During the seismic based contractions, specially designed pop-up mechanism ascends the center plate without damaging the finish placed on it and gets back to origin after activity is over. In case of continuous displacements caused by ground settlements, if needed, upper and lower brackets can easily be changed with a more compatible one. They are ideal for the places with heavy pedestrian traffic and high earthquake risk.

- Application Areas** : Indoor & Outdoor / Floor
- Ideal for** : Factories, Warehouses, Car Parks, Airports, Shopping Malls etc. : Mill Finish Aluminum
- Material** (Anodizing optional), EPDM Gasket
- Aluminum Alloy** : 6063 AA-USA / EN AW 6063
- Optional Supplies** : Fire Barrier, Waterproof EPDM membrane

SEISMIC

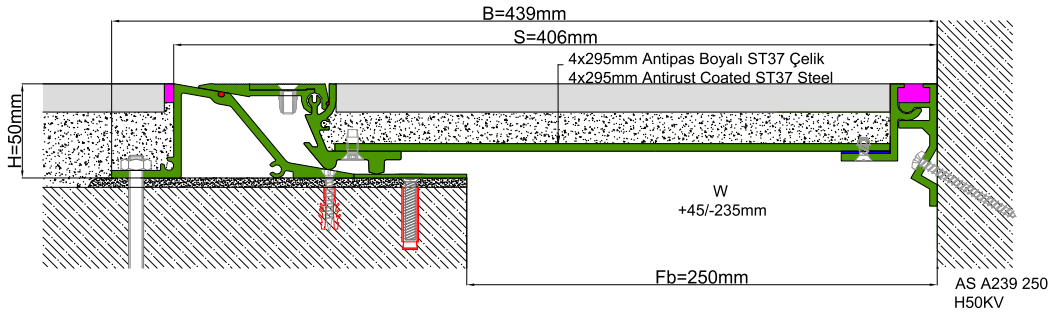
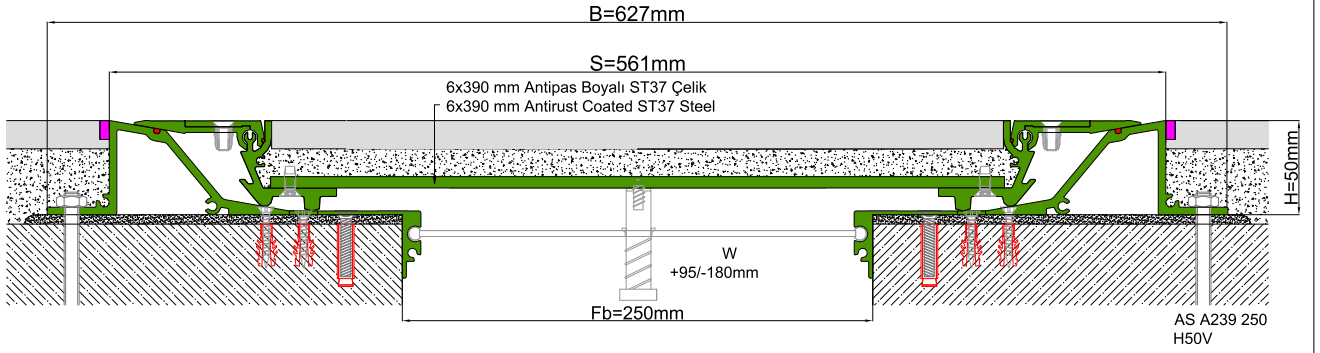



*Visuals are representative and the profile configuration may differ depending on the characteristics requested

| LOCATION | MODEL | GAP (Fb) mm | HEIGHT (H) MM | OVERALL WIDTH (B) mm | VISIBLE WIDTH (S) mm | MOVEMENT (W) mm | LOAD CAPACITY | STANDARD LENGTH (mt) |
|----------------|-------------|-------------|---------------|----------------------|----------------------|-----------------|---------------|----------------------|
| Floor to Floor | AS A239-075 | 075 | 50 | 422 | 356 | +25/-45 | | 3 |
| | AS A239-100 | 100 | 50 | 447 | 381 | +35/-60 | | 3 |
| | AS A239-150 | 150 | 50 | 497 | 431 | +55/-105 | | 3 |
| | AS A239-200 | 200 | 50 | 577 | 511 | +75/-140 | | 3 |
| | AS A239-250 | 250 | 50 | 627 | 561 | +95/-180 | | 3 |

Note: Please ask for different sizes





| Profil No Profile Number | AS A239 250 | AS A239 250K |
|---|--|--------------|
| Fb (mm) | 250 | 250 |
| H (mm) yaklaşık approx. | 50 | 50 |
| W± (mm) yaklaşık approx. | +95/-180 | +45/-235 |
| Renk Color | Alüminyum: Natürel, Antipas Boyalı ST37 Çelik: Gri Aluminum: Natural, Antirust Coated ST37 Steel: Grey | |
| Malzeme Material | Alüminyum, ST37 Çelik Aluminum, ST37 Steel | |
| Standart Uzunluk Standard Length | 3 | |
| Yükleme Kapasitesi Load-Bearing Capacity |  10 kN Temizlik Aracı 10 kN Cleaning Machine | |